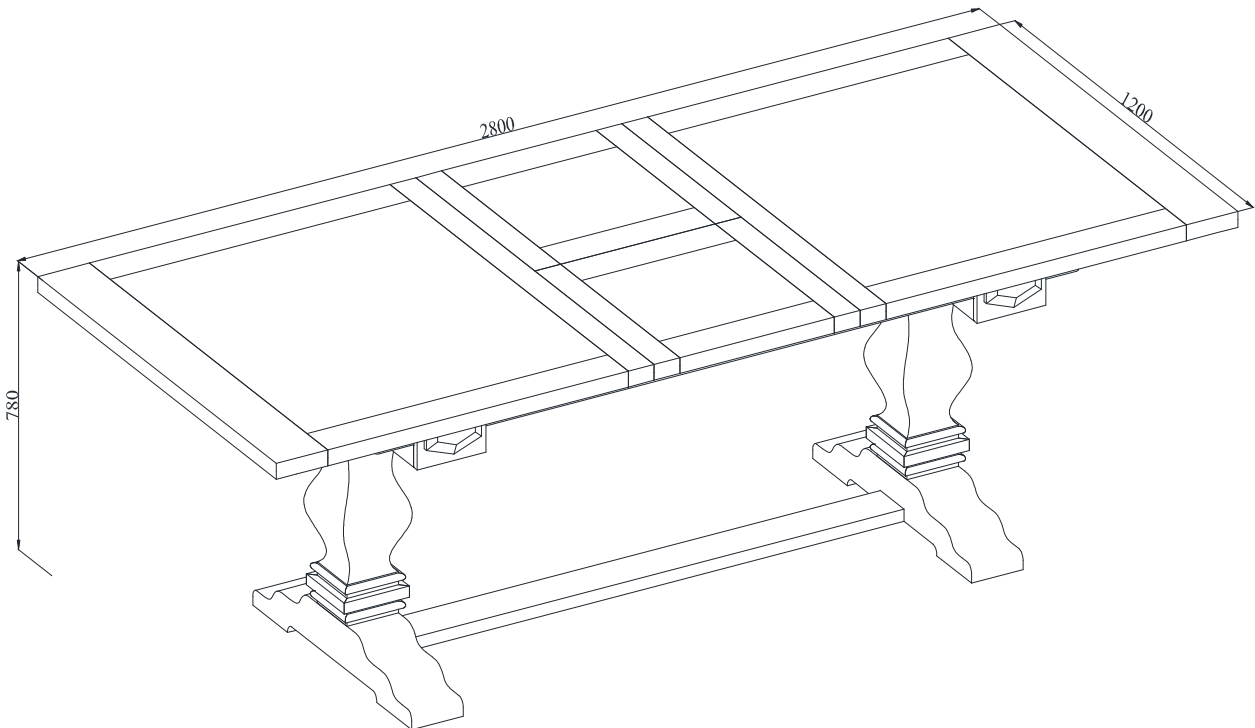




SIGNATURE
— COLLECTION —

ASSEMBLY INSTRUCTION
LA SALLE MK3 2200 EXTENSION DINING TABLE
ITEM CODE 65927



Imported by Amart Furniture Pty Ltd, Qld, Brisbane Australia.
For any assistance with assembly or for missing parts please phone
Amart Furniture, Customer Service Free call 1800 351 084

65927

IMPORTANT: CARE GUIDE FOR YOUR TIMBER FURNITURE

- *Congratulations! You have just purchased a quality product from Amart furniture, Australia's largest discount furniture retail store. Please read on for important information regarding your purchase.*
- A multi-step finish is applied to all our furniture, but all wood comes from nature. Because of this, there will be natural variations in surface texture and grain like knots, mineral streaks and sap runs that may affect the finish.
- These differences in character are not defects, but distinctions that make each piece of furniture unique.
- Our furniture is built to last. Following these steps for basic care should protect your investment for years to come.
- Dust frequently with a clean damp lint-free cloth. This will help remove abrasive build up which can damage a finish over time.
- Do not place hot objects on any furniture surface. Always use a hot plate or placemat. Laminate and lacquer finishes on table tops provide added scratch and heat resistance to our furniture, but they can still be damaged without proper care.
- Avoid exposing your furniture to strong sunlight, heat outlet, open windows or dampness. Prolonged exposure to direct sunlight can fade the finish of your furniture, while extreme temperature and humidity changes can cause cracking or splitting.
- Do not expose your furniture to any liquids. Never allow water to sit on your furniture. Alcohol, nail polish and perfume are also dangerous as they will dissolve the lacquer finish on contact and may require professional repairs.
- Do not allow plastic to come in direct contact with your furniture. Chemicals in the plastic of placemats etc may soften and mark the finish if left in contact with the furniture for a period of time.

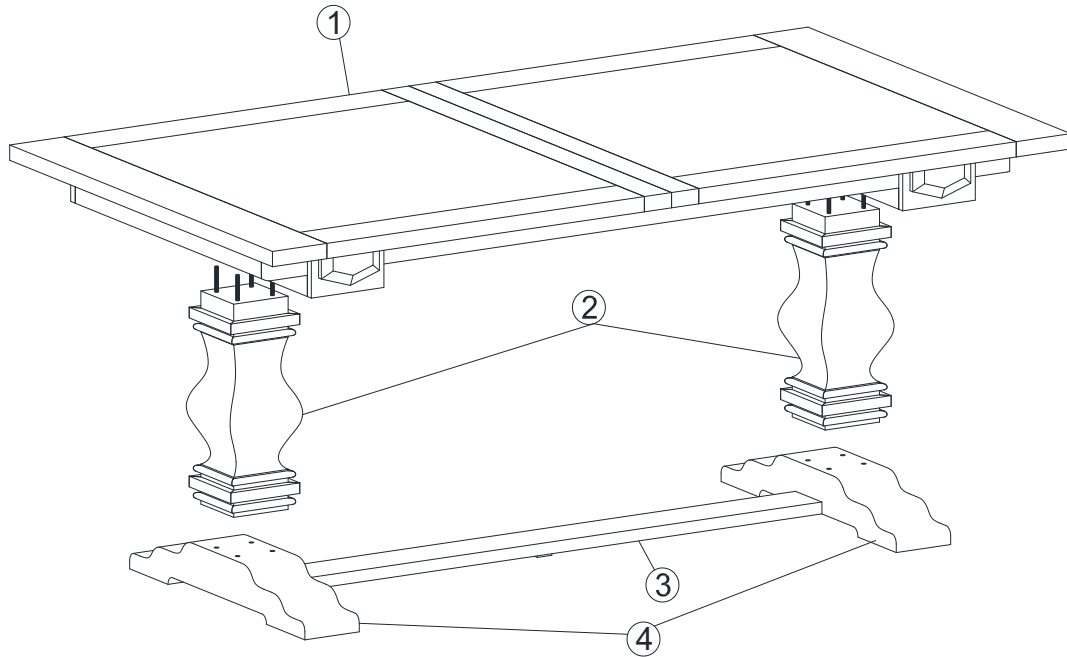
PRE-ASSEMBLY PREPARATION

Before you start:


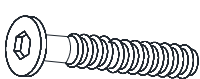


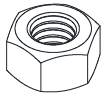




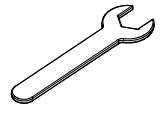




1. Choose a clean, level, spacious assembly area. Avoid hard surfaces that may damage the product
2. Take care when lifting. Product should be assembled as near as possible to the point of use
3. Ensure that you have all required contents for complete assembly
4. Always read the assembly instructions carefully before beginning assembly.
5. Keep all hardware parts and packaging out of reach of small children.
6. Do not over tighten the screws and bolts as this may damage the threads

	
Allow at least 45min	you will need 4 people
	
ADDITIONAL TOOLS REQUIRED	

PARTS LIST



Part	DESCRIPTION	Qty	In box	Part	DESCRIPTION	Qty	In box
1	TOP TABLE	1	1	3	CROSSBAR	1	1
2	PEDESTALS	2	2	4	LEGS	2	2

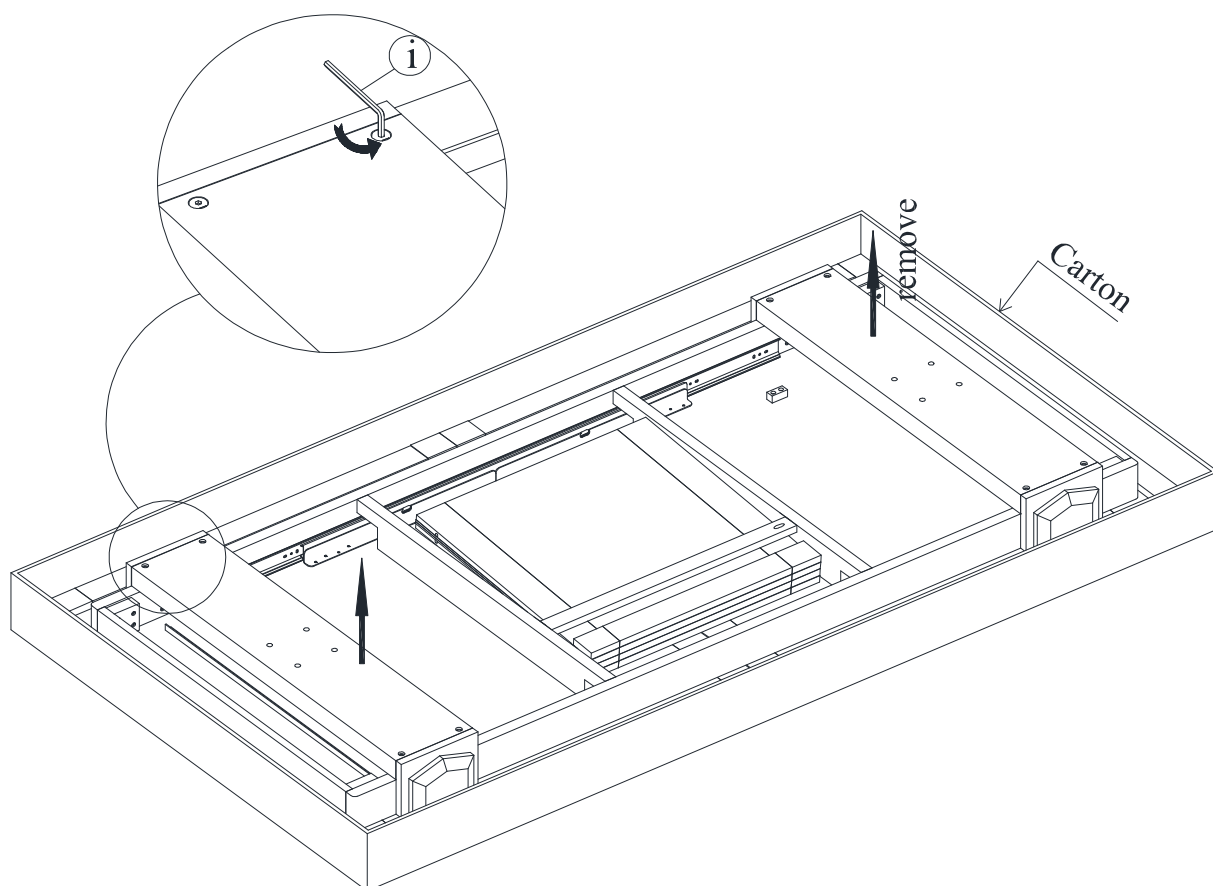
A M6 X 45 BOLT 8 PCES 	B M8 X 100 BOLT 8 PCES 	C M6.5 X 19 FLAT WASHER 8 PCES 	D M6.5 X 9 SPRING WASHER 8 PCES 
E HEXAGON NUT 8 PCES 	F M8.5 X 30 FLAT WASHER 8 PCES 	G M8.5 X 19 FLAT WASHER 8 PCES 	H M8.5 X 13 SPRING WASHER 16 PCES 
I ALLEN KEY 1 PCE 	J WRENCH 1 PCE 	K M6 x 70 BOLT 8 PCES  ATTACHED TO TABLE	L M6.5 X 13 FLAT WASHER  ATTACHED TO TABLE
M M6.5 X 9 SPRING WASHER 8 PCES  ATTACHED TO TABLE	N M8 X 30 TIMBER DOWEL 4 PCES  ATTACHED TO TABLE		

Step 1

You should have started by opening box 1, upside down. **Keep the table top inside the box** until later advised.

Step 2

As per the diagram below, detach the two rails with the Allen Key provided (item I). You will need to re-attach these pieces later, so please **safely store the bolts, flat washers and spring washers (Items K,L and M)**. Leave the timber dowels (item N) in their place, or place them back in if they have slipped out.






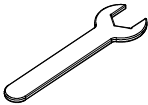
Step 3

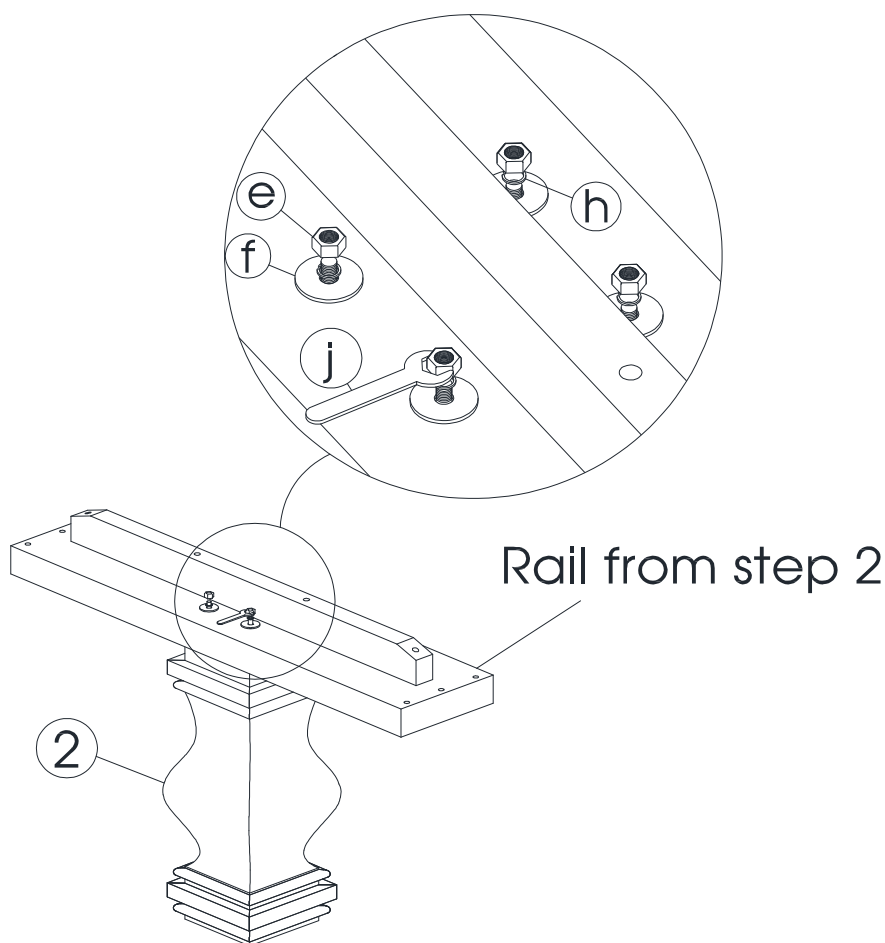
Now, please open box number 2, the legs and pedestal. When removing the pedestals (part 2) be careful to keep the pedestal standing upright at all times with the threads facing up.

Step 4

Now attach one of the rails removed from step 2 to a pedestal (part 2). Start by placing the rail through the threads, onto the pedestal with the threads facing up. **This is a 2 person job with one person holding the pedestal at all times.** Next place the M8.5 x 30 flat washer (item F) through the thread. Then insert the M8.5 x 13 spring washer (item H), finally fasten the hexagon nut (item E) with the wrench provided (item J). Repeat for other 3 threads, loosely fastening each nut to secure, then coming back in a clockwise order tightening them all. **Do not over tighten**, tighten until firm, if you hear timber cracking, stop.

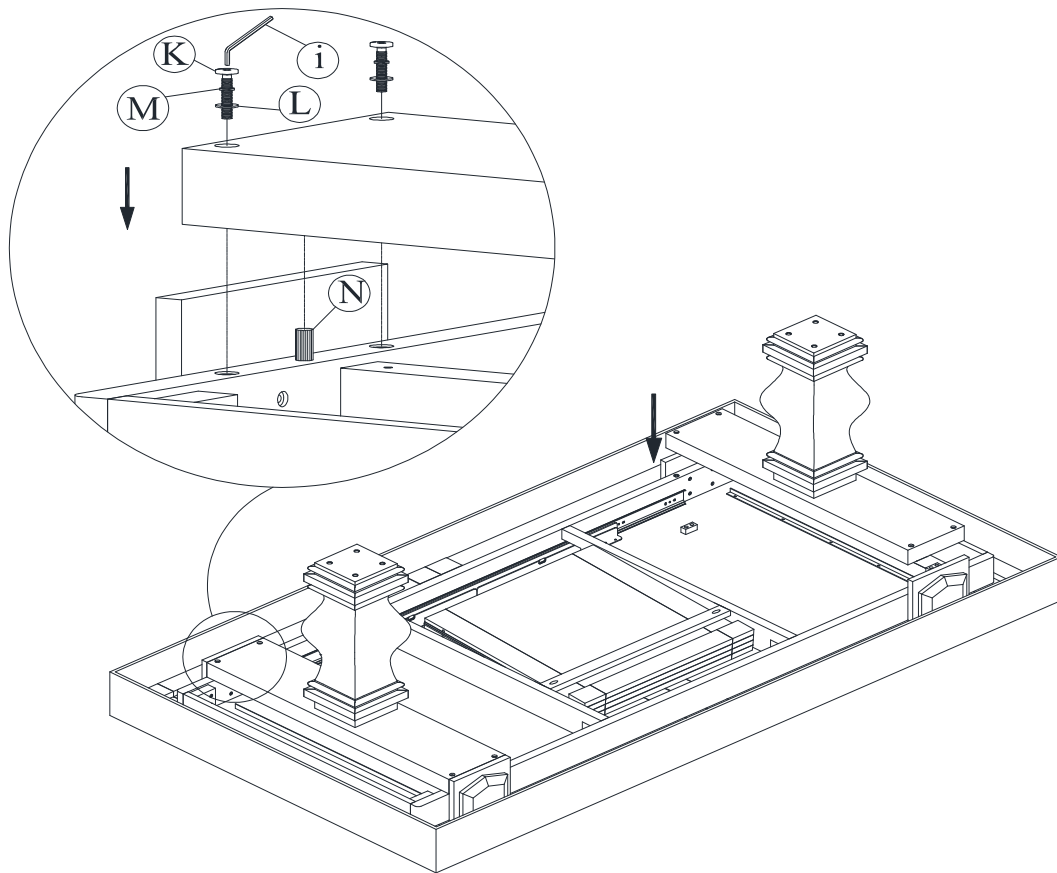
You will need

E	hexagon nut	4 PCES
		
F	M8.5 x 30 flat washer	4 PCES
		
H	M8.5 X 13 SPRING WASHER	8 PCES
		
J	Wrench	1 PCE
		







Step 5

Now we'll be attaching the pedestal and rail structure to the table top. Start by placing the pedestal and rail structure into position guided by the dowels in the table top. Then fix the pedestal and rail structure with the 4, M6 x 70 bolts (item K), 4, M6.5 x 13 flat washers (item L) and 4, M6.5 x 9 spring washers (item M) removed from step 2 with the Allen key provided (item I).



YOU WILL NEED

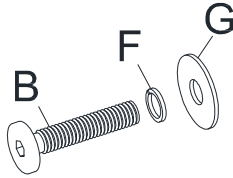
K	M6 X 70 BOLT	4	L	M6.5 x 13 FLAT WASHER	4	M	M6.5 X 9 SPRING WASHER	4	I	ALLEN KEY	1 PCE
		PCES			PCES			PCES			

Step 6





Please repeat step 4,5 and 6 with the remaining pedestal and rail.

Step 7

Assembling you bolts (item B), spring washers (item F), and flat washers (item G), as per diagram below.

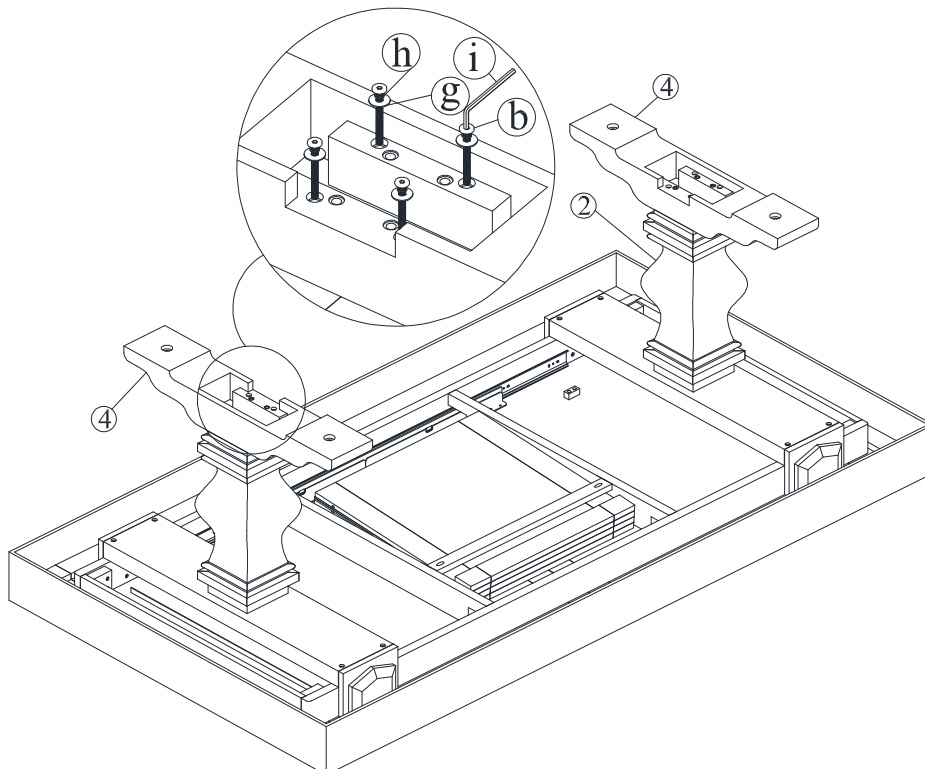


YOU WILL NEED

B M8 X 100 BOLT 8 PCES 	F M8.5 X 13 SPRING WASHER 8 PCES 	G M8.5 X 19 FLAT WASHER 8 PCES 	I ALLEN KEY 1 PCE 
--	--	--	---

Step 8

Taking the assembled bolts from step 7 attach a leg to a pedestal, using the Allen key (item I). As per image below.

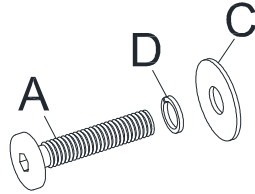


Step 9





Repeat for the other leg and pedestal.

Step 10

Assembling you bolts (item A), spring washers (item D), and flat washers (item C), as per diagram below.

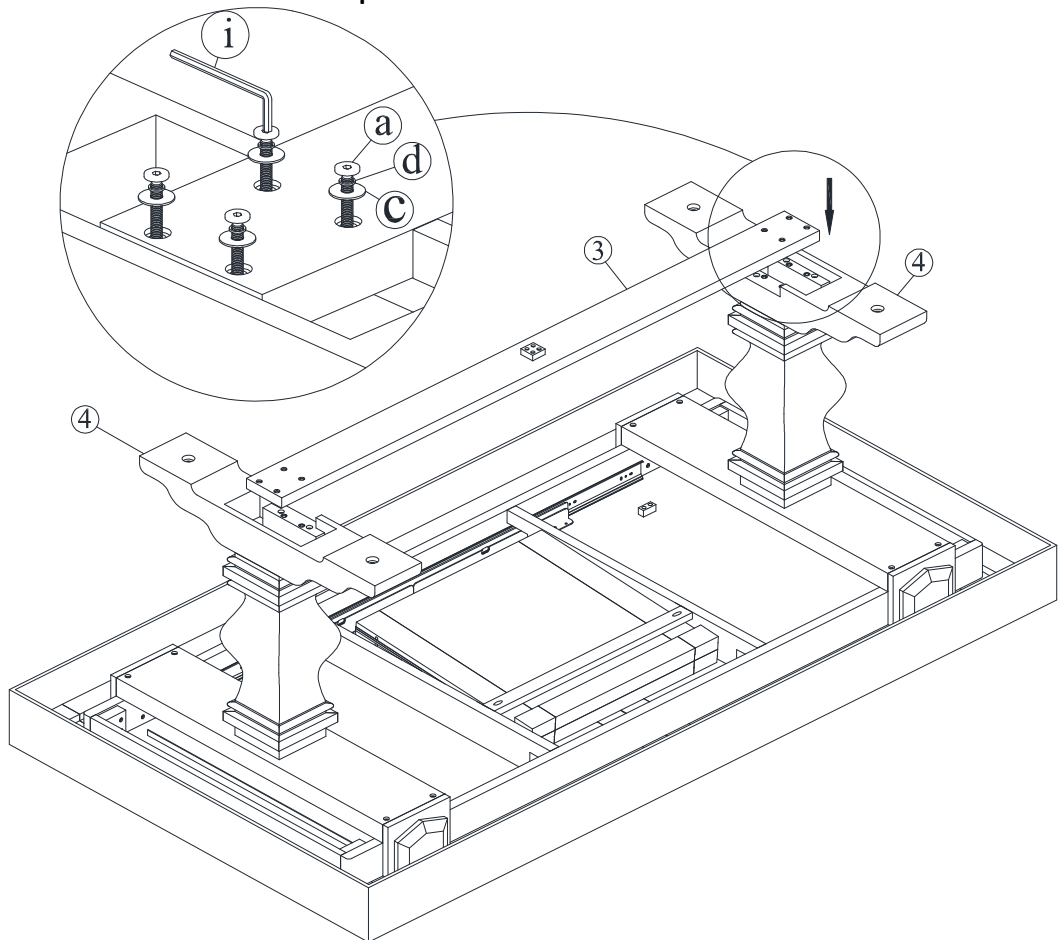


YOU WILL NEED

A	M6 x 45 BOLT	8 PCES	D	M6.5 X 9 SPRING WASHER	8 PCES	C	M6.5 X 19 FLAT WASHER	8 PCES	I	ALLEN KEY	1 PCE
											

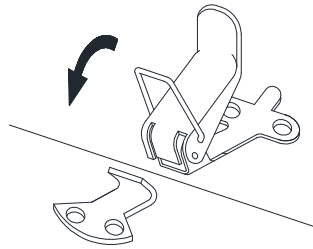
Step 11

Attach the crossbar to the legs as per diagram below, using the assembled bolt sets from step 10.

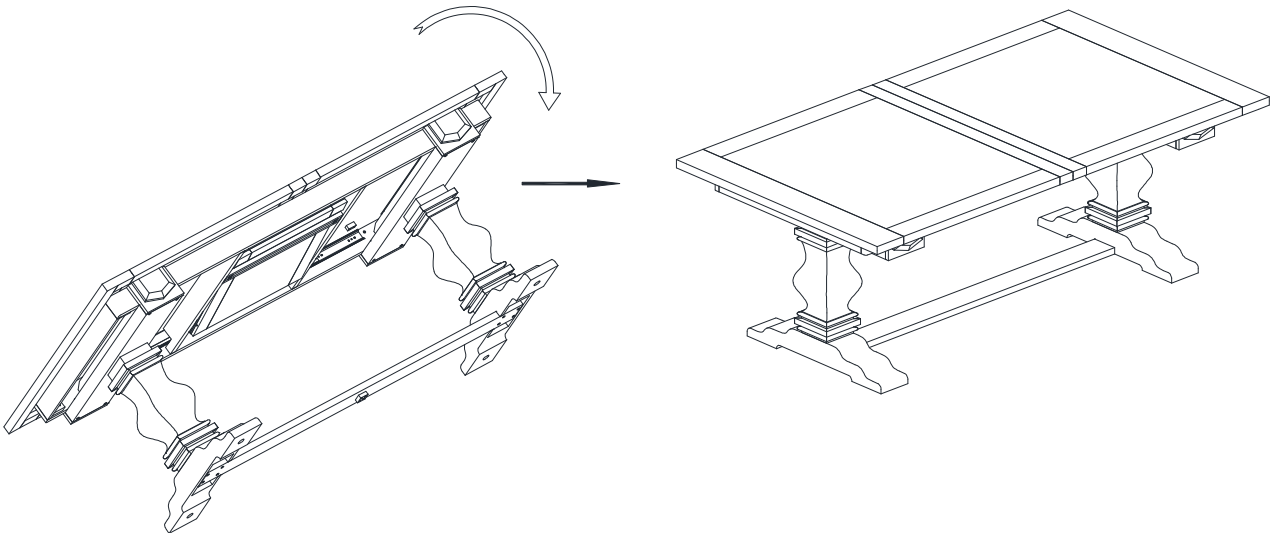


Step 12

The final step is to flip the table over. **This requires 4 people, do not attempt alone.** Before starting, double check that **both latches are firmly secured.** If not follow the diagram below.



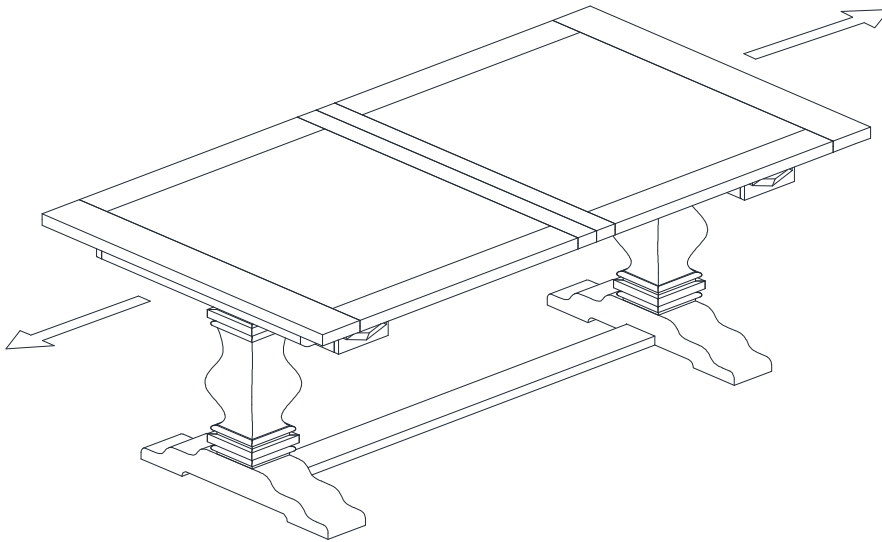
Next start with lifting the table out of its packaging. Have one person take a corner each. When swinging the table the right way up, do not pivot on the legs



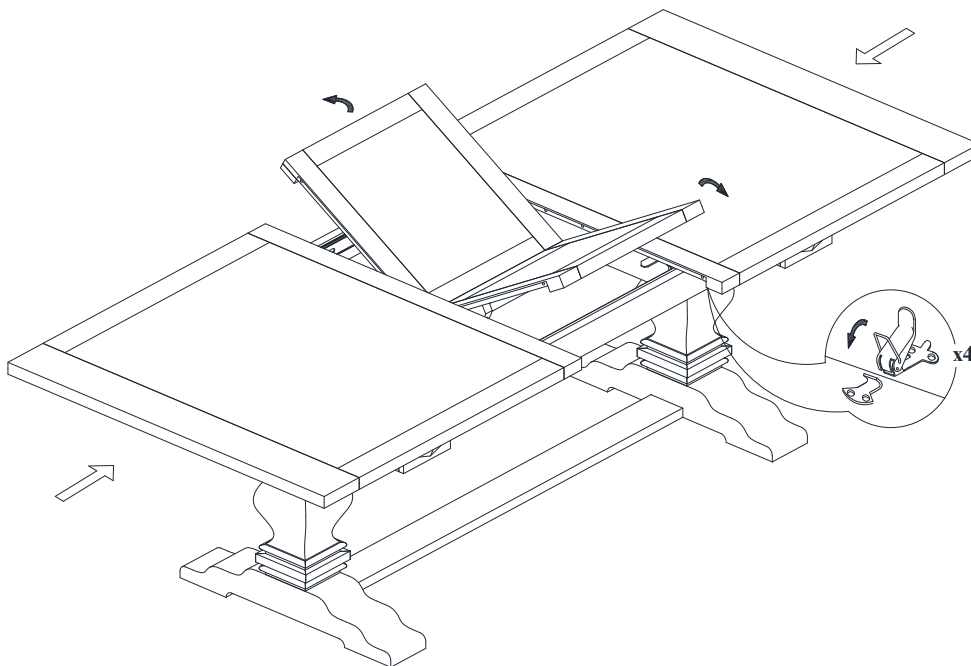
Assembly is complete.

Operational Guide

To open the table, start by unlocking the latches. Then with 2 people extend the top as shown below.

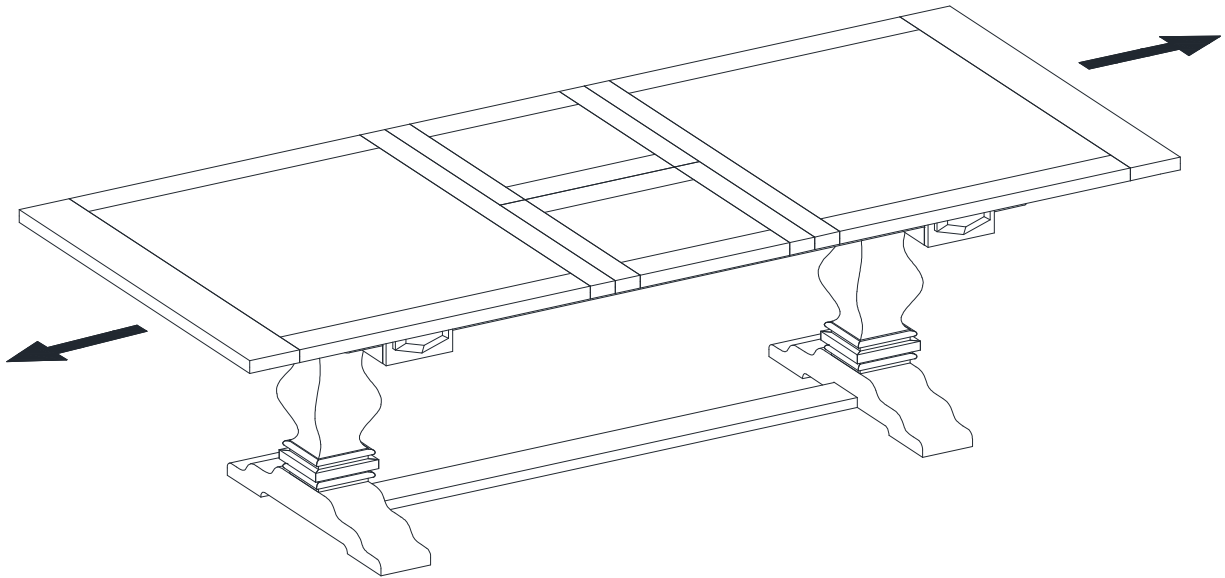


Then fold out the leaf as shown below. Push the table top close firmly, then **lock all 4 latches**, before use.



Operational Guide

To close, unlock all 4 latches, then pull table top open from each end.



Then fold in the leaf as shown below. Push the table top close firmly, then **lock both latches**, before use.

